

DATASHEET

S01.01.02.340_THOMSON-4-30

Linear Light LENS:

30° (Medium) beam . UGR = 19

160 x 40mm 4pcs Led Array As Horizontal for 5050 size LED packages.

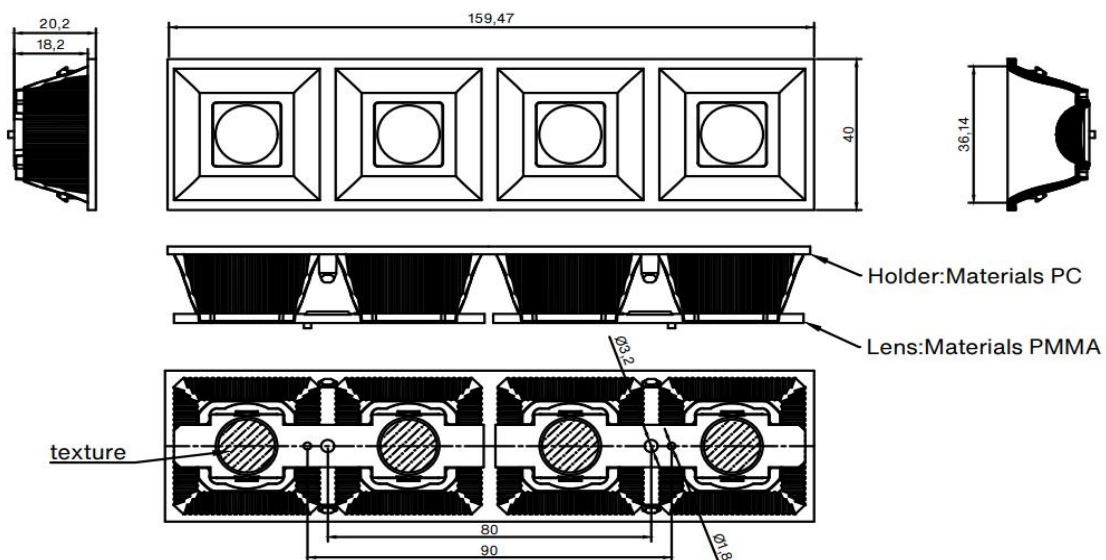
1.General Information

Lens material	: PMMA (clear)
Holder material	: PC (white)
Size	: 160X40mm
typ.FWHM	: 30°
Design LED	: LUXEON 5050
Compatibility	: 3030/3535/5050/7070
typ.Efficiency	: 88%
Fasten	: Clips+Screw
IP class	: N/A
Zhaga	: NO
RoHS	: YES
Color	: Clear



2.MECHANICAL SPECIFICATION

UNIT:mm



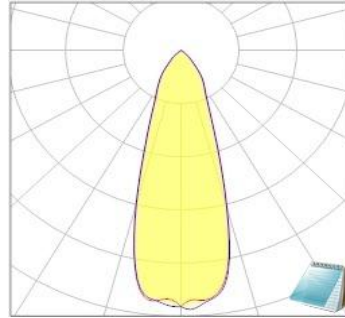
Dimensions with unmarked tolerances refer to GBT14486 tolerance table.

3. OPTICAL RESULTS

1) PHOTOMETRIC DATA(SIMULATED):



LED model 5050
Light colour White
LEDs/each optic 1
FWHM H33.7°,V33.4°
FWTM H75.7°,V75°



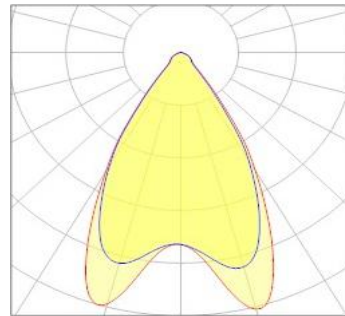
Required components:

N/A

2) PHOTOMETRIC DATA(MEASURED):



LED model RF 2835
Light colour White
LEDs/each optic 4
FWHM H21.2°,V19.4°
FWTM H70.7°,V73.9°



Required components:

N/A

4. Usage and Maintenance

- 1) If necessary, clean lenses with mild soap, water and soft cloth.
- 2) Never use any commercial cleaning solvents on lenses, like alcohol.
- 3) Please handle lens with wearing gloves, skin oils may damage lens or its optical characteristic.

5. Note

Please test the data again before using. The chart data is for reference only.

The appearance and specifications of the product can be changed to improve the quality and/or performance without notice.