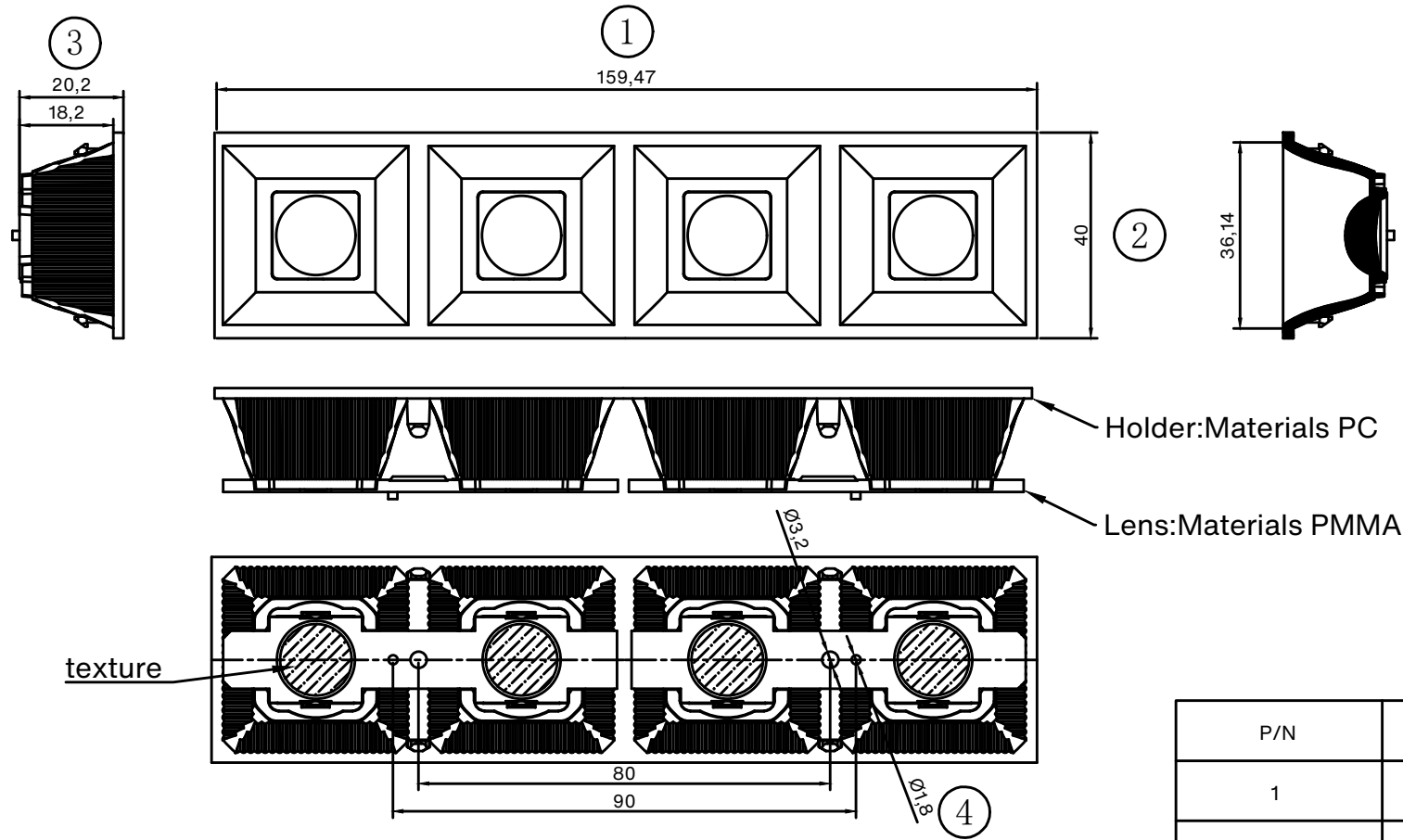


产品图 Product drawing

| | | |
|--------|------------|--------------------|
| 版本 REV | 日期 DATE | 变更内容 CHANGE (ITEM) |
| A0 | 2023-11-24 | 新建 NEW |
| | | |
| | | |



Holder:Materials PC

Lens:Materials PMMA

texture

| P/N | TYPE | MATERLAL |
|-----|--------|----------|
| 1 | LENS | PMMA |
| 2 | Holder | PC |
| 3 | Socket | |

| | | | |
|-------------------|-----------------------------|--------------------------|--------|
| 产品名称 Item name | S01.01.02.344_ THOMSON-4-30 | 产品材质 Product material | |
| 图法 View | 第三视角 | 设计 Designed | Yvan |
| 比例 Scale | 1:1 | 审核 Checked | Haiqiu |
| 单位 Unit | MM | 批核 Approved | JG Wu |

技术要求:

1. 图中有序号尺寸需要重点控制;
2. 产品不得有缺胶、气泡、收缩、黑点等异常;
3. 未标注公差尺寸参考GBT14486公差表

Technical requirements:

- 1.The size of the ordered number in the figure needs to be controlled;
- 2.The product shall not have lack of glue, bubbles, shrinkage, black spots and other abnormalities;
- 3.Dimensions with unmarked tolerances refer to GBT14486 tolerance table.

SUNLUMIN OPTICS CO.,LTD