

# DATASHEET

S01.01.02.344\_THOMSON-4-30

## Linear Light LENS:

30° (Medium) beam . UGR = 13

160 x 40mm 4pcs Led Array As Horizontal for 5050 size LED packages.

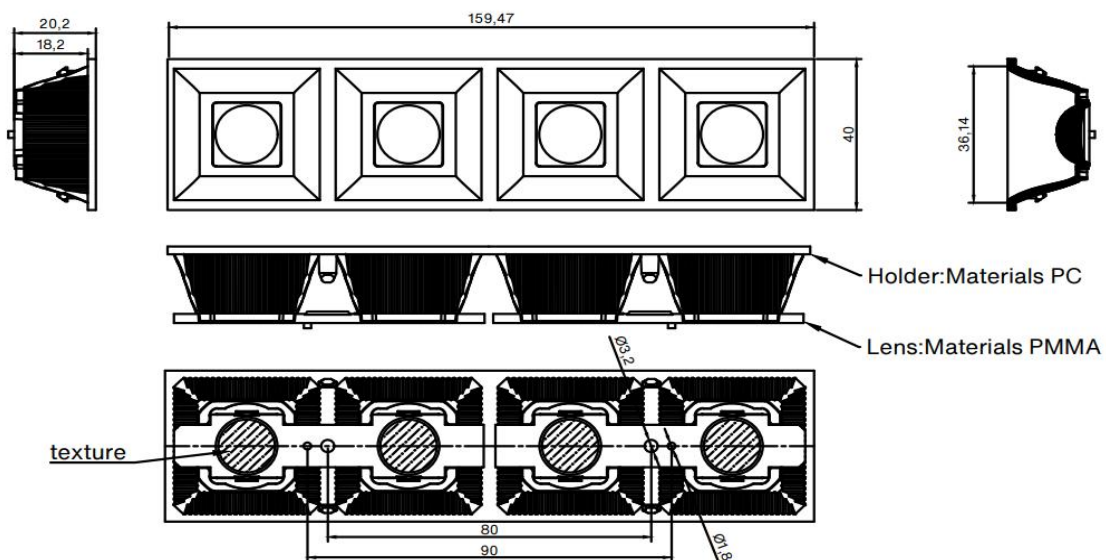
### 1.General Information

Lens material	: PMMA (clear)
Holder material	: PC (black)
Size	: 160X40mm
typ.FWHM	: 30°
Design LED	: LUXEON 5050
Compatibility	: 3030/3535/5050/7070
typ.Efficiency	: 88%
Fasten	: Clips+Screw
IP class	: N/A
Zhaga	: NO
RoHS	: YES
Color	: Clear



### 2.MECHANICAL SPECIFICATION

UNIT:mm



Dimensions with unmarked tolerances refer to GBT14486 tolerance table.

### 3. OPTICAL RESULTS

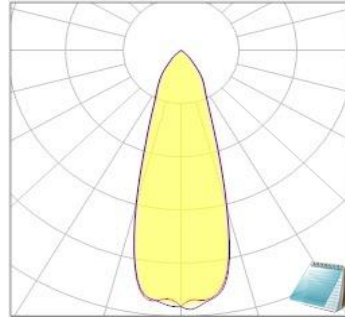
#### 1) PHOTOMETRIC DATA(SIMULATED):



LED model 5050  
 Light colour White  
 LEDs/each optic 1  
 FWHM H33.7°,V33.4°  
 FWTM H75.7°,V75°

Required components:

N/A



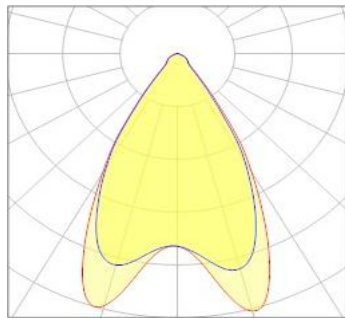
#### 2) PHOTOMETRIC DATA(MEASURED):



LED model RF 2835  
 Light colour White  
 LEDs/each optic 4  
 FWHM H21.2°,V19.4°  
 FWTM H70.7°,V73.9°

Required components:

N/A



### 4.Usage and Maintenance

- 1) If necessary, clean lenses with mild soap, water and soft cloth.
- 2) Never use any commercial cleaning solvents on lenses, like alcohol.
- 3) Please handle lens with wearing gloves, skin oils may damage lens or its optical characteristic.

### 5.Note

Please test the data again before using. The chart data is for reference only.

The appearance and specifications of the product can be changed to improve the quality and/or performance without notice.